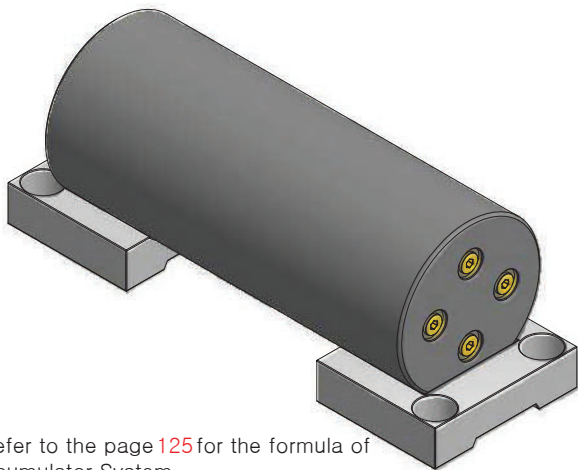
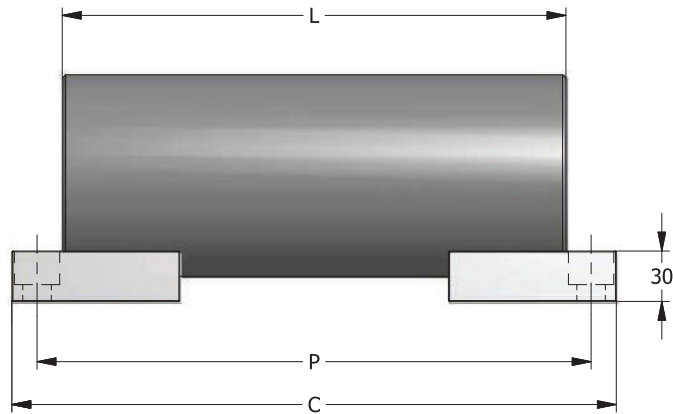
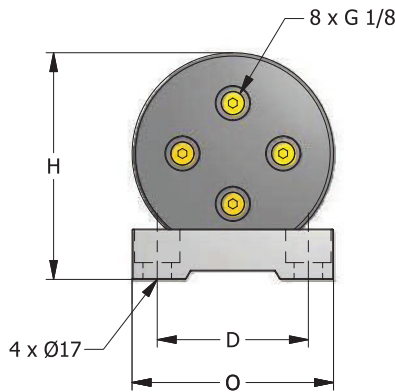




PRESSURE DISTRIBUTION TANK

By connection with fitting system, TOSS ACCUMULATOR keeps constant pressure level by minimize the difference between initial pressure and final pressure.



DESCRIPTION	VOLUME cm ³	L mm	C mm	P mm	H mm	O mm	D mm
TAN050-25	1,260	291	369	330			
TAN050-50	2,510	541	619	580	115	105	65
TAN050-75	3,770	791	869	830			
TAN080-25	1,960	291	369	330			
TAN080-50	3,920	541	619	580	135	130	90
TAN080-75	5,880	791	869	830			
TAN125-25	3,060	301	379	340			
TAN125-50	6,130	551	629	590	165	160	120
TAN125-75	9,200	801	879	840			
TAN210-25	5,340	301	379	340	215	210	170
TAN210-50	10,680	551	629	590			

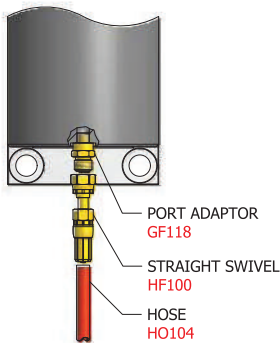
※ Please refer to the page 125 for the formula of Toss Accumulator System.

HOW TO ORDER

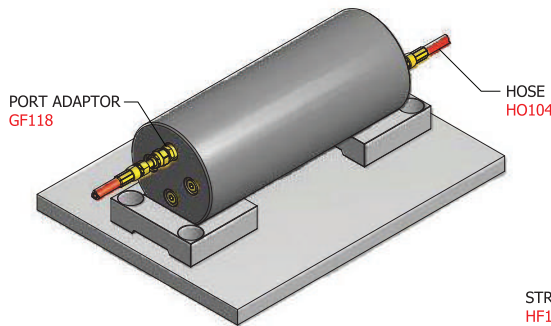
TAN
Accumulator

080-75
Specification

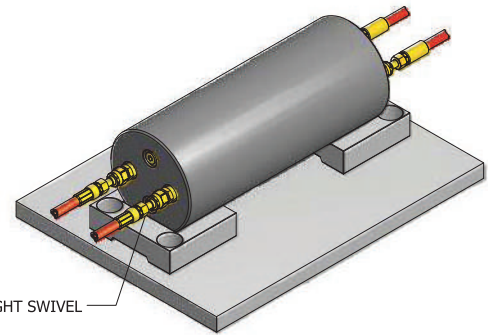
ACCUMULATOR USE EXAMPLE



ACCUMULATOR + FITTING CONNECTION



2 PORT USE



4 PORT USE

